

Product datasheet

Specifications



Tower Light - RG - 24V - LED - Base mounting

XVGB2W

Main

| | |
|------------------------------------|--|
| Range of product | Harmony XVG |
| product or component type | Complete pre-wired monolithic tower light |
| Beacon or indicator bank unit type | 2 illuminated units |
| Material | PC (UL94 V-2): globe ABS (UL94HB): tube body Aluminium: tube |
| Mounting diameter | 60 mm |
| Component name | XVG |
| device mounting | Base mounting |
| Light source | LED steady red LED steady green |
| Light block color | Red/green |
| Indicator bank base type | Base without buzzer |

Complementary

| | |
|--|----------------------|
| rated supply voltage | 24 V AC/DC |
| cable cross section | 0.33 mm ² |
| Discrete output type | PNP and NPN |
| [Uimp] rated impulse withstand voltage | 0.5 kV |
| Current consumption | 68 mA |
| power consumption in W | 1.6 W |
| Fundamental frequency | 2.64 kHz |
| net weight | 0.2 kg |

Environment

| | |
|---------------------------------------|-------------|
| Product certifications | CE EAC |
| Ambient air temperature for storage | -35...70 °C |
| Ambient air temperature for operation | -10...50 °C |
| IP degree of protection | IP53 |

Packing Units

| | |
|------------------------|-----|
| Unit Type of Package 1 | PCE |
|------------------------|-----|

| | |
|-------------------------------------|---------|
| Number of Units in Package 1 | 1 |
| Package 1 Height | 31.0 cm |
| Package 1 Width | 8.5 cm |
| Package 1 Length | 7.5 cm |
| Package 1 Weight | 307.0 g |
| Unit Type of Package 2 | S04 |
| Number of Units in Package 2 | 21 |
| Package 2 Height | 30 cm |
| Package 2 Width | 40 cm |
| Package 2 Length | 60 cm |
| Package 2 Weight | 7.55 kg |
| Unit Type of Package 3 | P06 |
| Number of Units in Package 3 | 84 |
| Package 3 Height | 75 cm |
| Package 3 Width | 60 cm |
| Package 3 Length | 80 cm |
| Package 3 Weight | 38 kg |

Contractual warranty

| | |
|-----------------|-----------|
| Warranty | 18 months |
|-----------------|-----------|

Sustainability

Green Premium™ label is Schneider Electric's commitment to delivering products with best-in-class environmental performance. Green Premium promises compliance with the latest regulations, transparency on environmental impacts, as well as circular and low-CO₂ products.

Guide to assessing product sustainability is a white paper that clarifies global eco-label standards and how to interpret environmental declarations.

[Learn more about Green Premium >](#)

[Guide to assess a product's sustainability >](#)



Transparency RoHS/REACH

Well-being performance

Mercury Free

Rohs Exemption Information Yes

Certifications & Standards

Reach Regulation [REACH Declaration](#)

Eu Rohs Directive Pro-active compliance (Product out of EU RoHS legal scope)

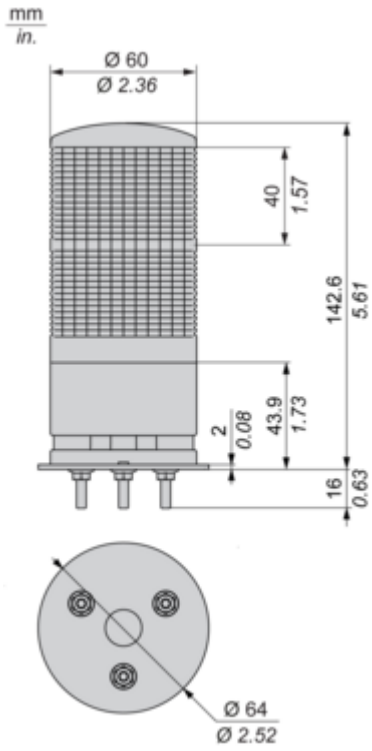
China Rohs Regulation [China RoHS declaration](#)

Environmental Disclosure [Product Environmental Profile](#)

Circularity Profile [End of Life Information](#)

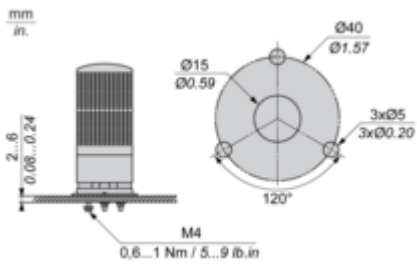
Dimensions Drawings

Dimensions



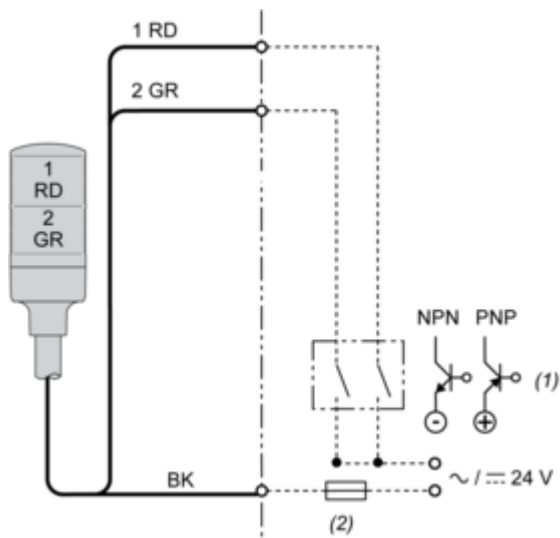
Mounting and Clearance

Mounting



Connections and Schema

Wiring



(1) "ON" for lighting and/or applying continuous sound.

(2) Fuse (rated current: 0.5 A)

RD : Red

GR : Green

BK : Black